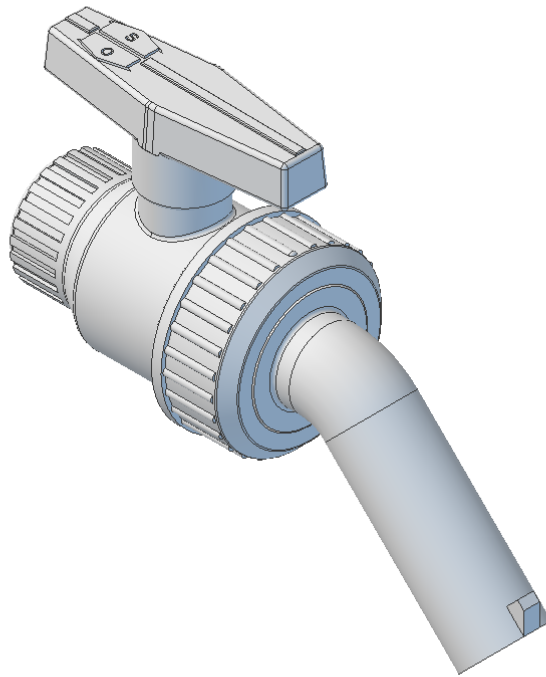




SU100-FP-NOZ - SINGLE UNION POLY-BALL VALVE/ NOZZLE



MATERIAL - POLYPROPYLENE WITH TEFLON SEATS  
EPDM O-RINGS